

# HNC-1000LTD Series Hall Current Sensor

## Introduction

HNC-1000LTD Series Hall current transducer is the new generation product based on Hall effect. It is able to measure DC, AC, pulse and other currents with irregular waves under the condition of electrical isolation.



## △Electrical Parameters (Ta=25°C)

Type		HNC-300LTD	HNC-400LTD	HNC-500LTD	HNC-800LTD	HNC-1000LTD
Parameters	Symbols					
Nominal measuring current	$I_{PN}$	300A	400A	500A	800A	1000A
Linear range	$I_P$	0~±600A	0~±600A	0~±750A	0~±1200A	0~±1200A
Turns ratio	$K_N$	1:2000	1:3000	1:4000	1:4000	1:4000
Coil resistance	$R_i$	25Ω	33Ω	45Ω	45Ω	45Ω
Nominal output current	$I_{SN}$	150mA±0.5%	133mA±0.5%	125mA±0.5%	200mA±0.5%	250mA±0.5%
Zero offset current	$I_o$	≤ ±0.4mA				
Linear error	$\xi_L$	±0.1%				
Supply voltage	$V_c$	±15V ±5%				
Response time	$T_r$	≤ 1 μ S				
Temperature drift of bridge offset	$I_{OT}$	±0.2mA Type ±0.6mA Max				
Power dissipation current	$I_C$	(30+I <sub>s</sub> ) mA				
Recommended load resistance	$R_M$	10~55 Ω	10~65 Ω	5~60 Ω	0~20 Ω	0~12 Ω
Isolation voltage	$V_d$	6.0KV/50 or 60Hz/1min				
Frequency bandwidth	$f$	DC~ 100KHz (-3dB)				
Operating temperature	$T_a$	-25°C~+85°C				
Storage temperature	$T_s$	-40°C~+90°C				

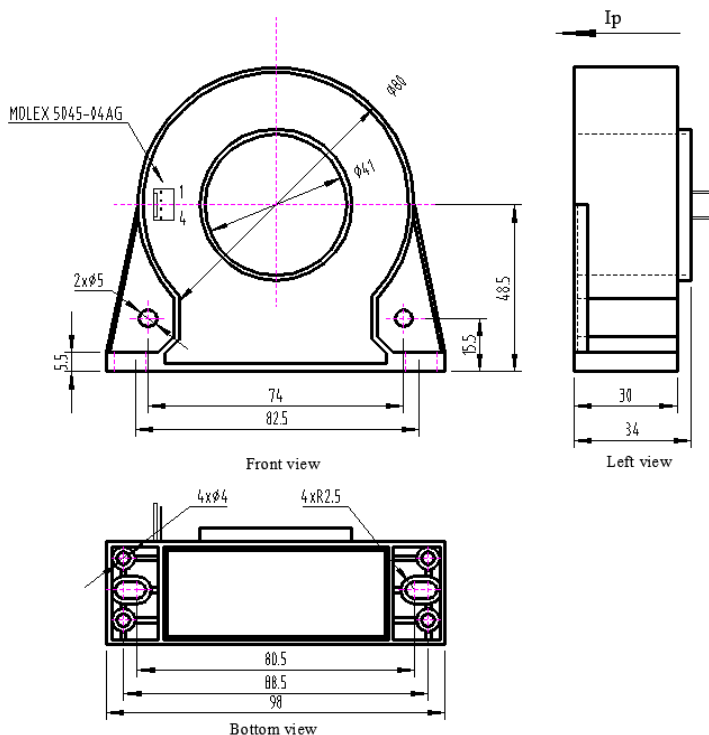
## Features:

- ◆ Use close-loop current transducer based on Hall effect
- ◆ Adopt UL94V-0-recognized insulated casing
- ◆ Low temperature drift
- ◆ Wide frequency bandwidth
- ◆ High immunity against external disturbance

## Applications:

- ◆ AC variable-frequency speed control system and servo motor
- ◆ Uninterruptible power supplies (UPS)
- ◆ Switched-mode power supply
- ◆ Power supply for electric welding machine
- ◆ Battery supply

## △Dimension: (mm)



## Instructions for Use:

- ◆ Connect the wire of transducer in correct way as required.
- ◆ Inputting measured current from input end of transducer, the in-phase current signal can be obtained from output end by sampling.

## Connection and adjustment:

- ◆ 1: +Vc (+15V)
- ◆ 2: -Vc (-15V)
- ◆ 3: Output
- ◆ 4: NC